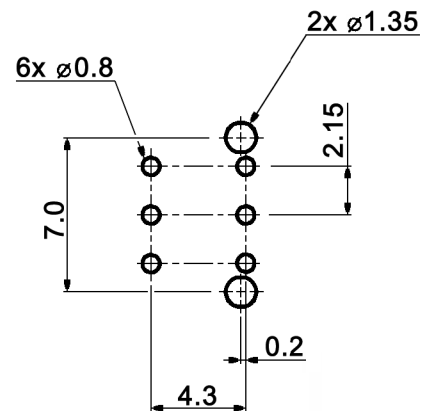


P.C.B. LAYOUT



Compliance: RohS III (2015/863/EU)

Tolerances: 0.00: ±0.25mm 0.0: ±0.40mm	Date	Name
	04/12	dr
UL information	04/22	dr
Packaging	07/15	dr
Revised	12/13	dr
LED specifications	10/12	dr
Modifications	Date	Name

TM 81 Fx-RA

30 26 05

Page

1/3

knitter-switch

**Specifications:**

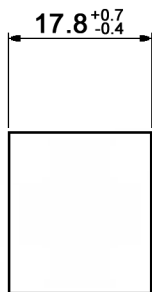
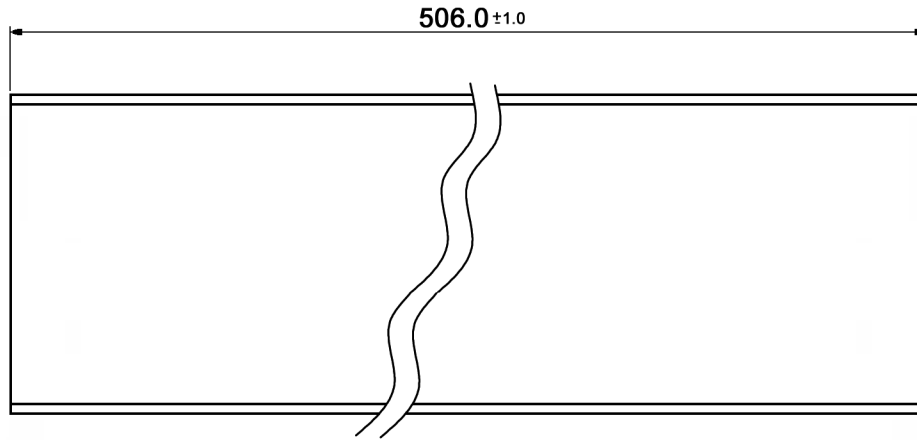
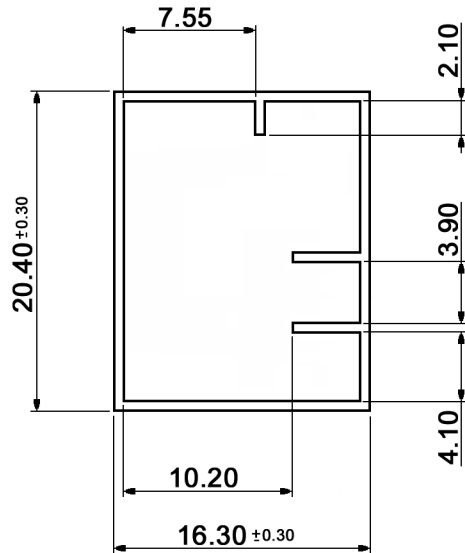
**Contact rating:** 0.1mA - 100mA, 20V DC - 32V DC, 1VA max.  
**Contact resistance:** 150mOhm max.  
**Insulation resistance:** 100MOhm min. at 500V DC  
**Dielectric strength:** 250V AC for 1 minute  
**Operating temperature:** -40°C to +85°C  
**Mechanical life:** 25 000 cycles  
**Operating force:** 400 +/-120gf  
**Travel:** 2.4 +/-0.3mm  
**Material:** Case: LCP, Polyplastics Laperos E130i, E106764, flammability UL94V-0  
 Actuator: PC, Covestro Makrolon 6485, E41613, flammability UL94V-0  
 Spacer: silicon  
 Contact: stainless steel, silver plated  
 Terminals: brass gold plated

x	LED 1	LED 2
(empty)	-	-
W	white	-
R	red	-
Y	yellow	-
G	green	-
B	blue	-
YG	green	yellow
RG	green	red
BA	amber	blue
A	amber	
BR	blue / red	
BG	blue / green	
AG	amber / green	

Compliance: RohS III (2015/863/EU)

Tolerances: 0.00: ±0.25mm 0.0: ±0.40mm		Date	Name	<h1>TM 81 Fx-RA</h1>
		04/12	dr	
UL information	04/22	dr		
Packaging	07/15	dr	<b>knitter-switch</b>	<h2>30 26 05</h2>
Revised	12/13	dr		
LED specifications	10/12	dr		
Modifications	Date	Name		Page 2/3

Packaging:



Packaging unit: 55 pcs./tube; 6 tubes/bundle; 2 bundles/PE bag; 6 PE bags/carton  
 Compliance: RohS III (2015/863/EU)

Tolerances: 0.00: ±0.25mm 0.0: ±0.40mm			Date	Name	<h1>TM 81 Fx-RA</h1>
			04/12	dr	
UL information	04/22	dr	<b>knitter-switch</b>		<h2>30 26 05</h2>
Packaging	07/15	dr			
Revised	12/13	dr			
LED specifications	10/12	dr			
Modifications	Date	Name			
					Page
					3/3